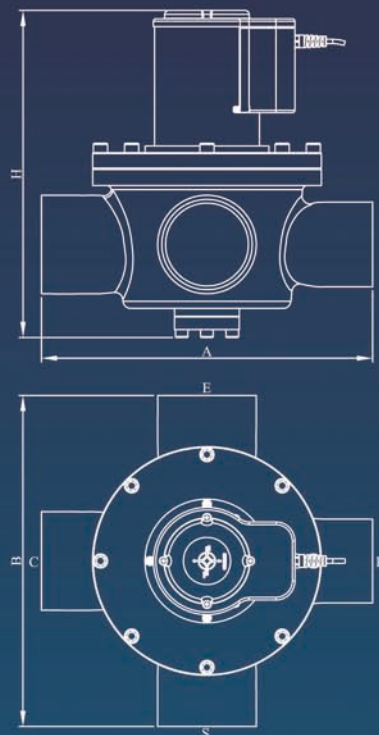


W-series 4-way valve bistable



China Patent No.:

ZL200710046094

International Invention Application No.:

PCT/CN2007/003191

U.S.Invention Application No.:

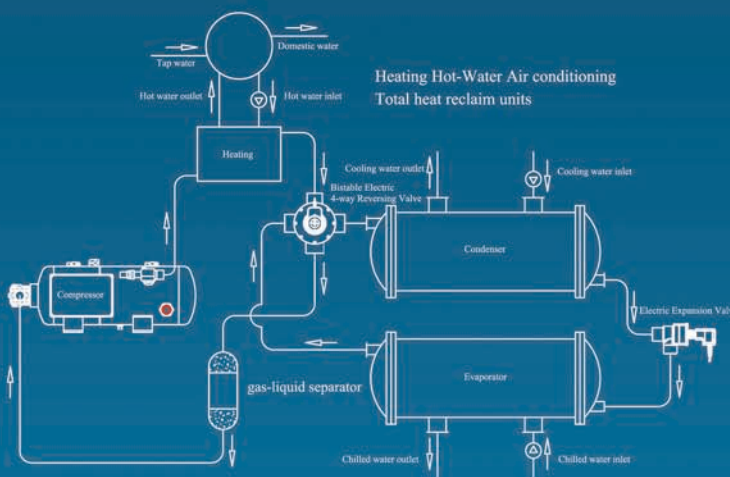
12671608

Japan invention Application No.:

51000567872

Model	Dimensions(mm)		Diameter(mm)		Rated cooling capaci
	A/B	H	D ID	E/S/C ID	
W80	340	360	Φ58	Φ90	75
W100	400	400	Φ77	Φ110	100
W130	400	400	Φ90	Φ110	130
W180	430	415	Φ110	Φ135	180

- Metal cone seal, entire seal magnetic induction drive cutting-edge technology, without lubricant permanently sealed inside and outside,
- Soft switching when the floating, no wear between the metal components
- Switching time: 3.0s(110VAC 60Hz 1.5kVA)
3.8s(220VAC 50Hz 1.2kVA)



GOLDAIR

Shanghai Goldair Electric System Co.,LTD

ADD: No.618 Yanghebang Road Sungjiang High-Tech Park, Shanghai TEL: +86 21 67697100 FAX: +86 21 67697007

For more information:

<http://www.goldair-control.com>